

Quick Install Guide 2.5" SATA to USB2.0 , OTB Enclosure

1 Getting Started

Kit Contents

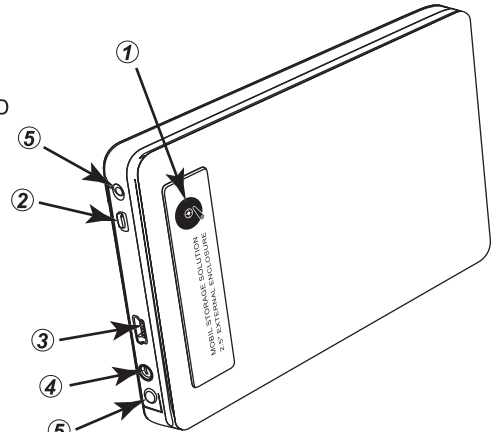
- 2.5" Enclosure
- USB Y Cable
- Installation CD
- Screw Pack
- Carry Bag
- QIG

Minimum System Requirements

- Available OHCI-compliant USB port
- Windows 98SE/ME/2000/XP/VISTA
- MAC OS 9.x or above

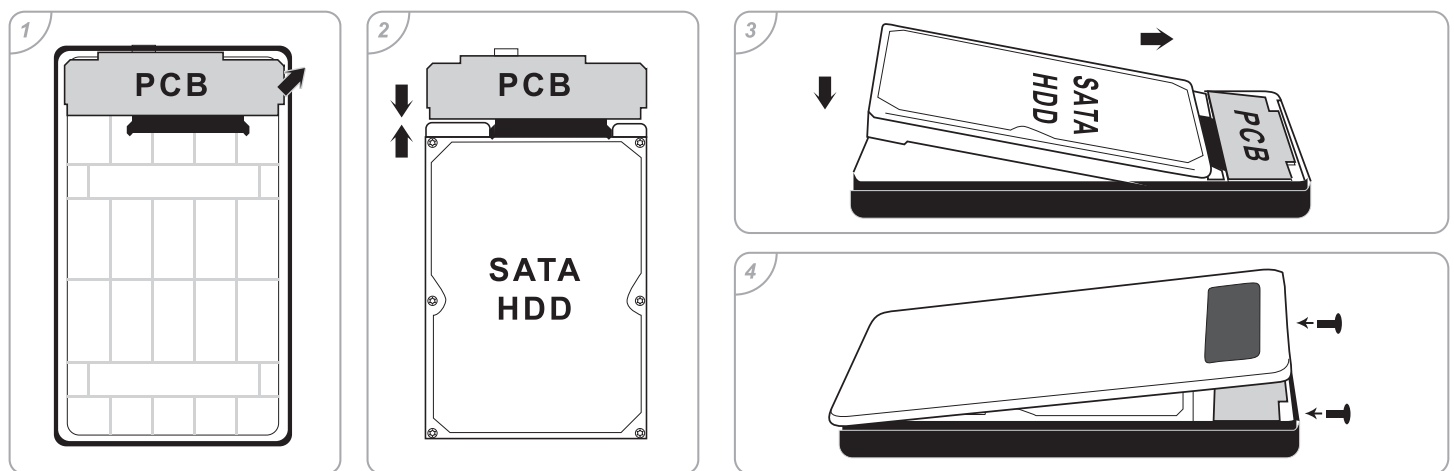
Product Overview

1. Power Indication LED
2. OTB Button
3. USB2.0 Port
4. DC Jack
5. Screw Socket



2 Assembling the 2.5" SATA HDD

- Step 1 : Open the enclosure , and take out the PCB
- Step 2 : Insert SATA HDD into SATA connector of PCB
- Step 3 : Exactly position the PCB and HDD set into the casing , and put on the cover
- Step 4 : Put in the screws and tighten them



3 Connecting the Drive

Note : If using Windows 98SE , you must install the device driver on your system before connecting the drive.

- Connect one end (USB A Type) of the USB Y Cable to your computer.
- Connect the other end (USB mini 5) of the USB Y Cable to the USB port on the back of the drive.
- The power indication LED will illuminate and the presence of an external drive will be visible on your PC monitor or laptop.

4 Installing OTB Software

Note : Please select proper OTB .exe version for your computer before installation , OTB supports Windows System only.

- Put Installation CD-ROM into the Optical Drive on your computer or laptop.
- Select the correct OTB software version and then follow the installation procedures.
- Once OTB is successfully installed on the computer or laptop , an OTB icon will appear on the system tray of your Computer.

5 Disconnecting the Drive

Caution : To prevent data loss always be sure to close all active applications before shutting down the drive.

Windows

1. Double-click the Safely Remove Hardware icon in your system tray (typically located on the bottom right corner of your desktop).
2. Select the appropriate device from the list and click "Stop". Click "OK" to confirm your selection of the drive to be disconnected.
3. Click "Close" and ensure that the drive is powered off already.

MAC

1. Find the Removable Disk icon associated with the drive that you want to disconnect and drag it to the Trash icon on your desktop.
2. After the disk icon disappears from the desktop and the drive is powered off , you may safely disconnect the USB cable from your computer.

6 Remarks

- The detailed installation manual can be found in the "User Manual" of the CD.
- The product is compliant with CE/FCC/UL/RoHS/WEEE.
- Microsoft , Windows 98SE/ME/2000/XP/VISTA are trademarks of Microsoft Corporation. Apple , Macintosh and MAC are trademarks of Apple Computer.