

Quick Install Guide

3.5" RAID Enclosure , SATA to USB2.0 & eSATA

1. Getting Started

Kit Contents

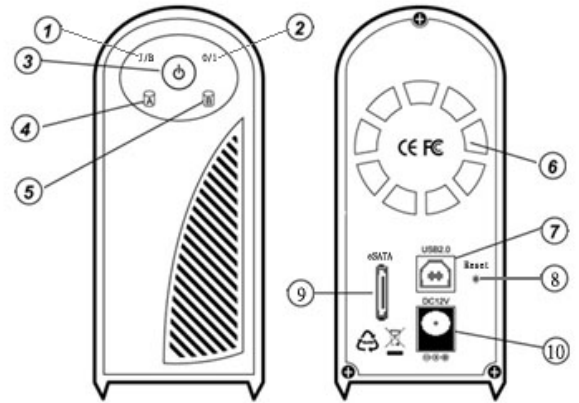
- 3.5" Dual Bay Enclosure
- USB Cable
- eSATA Cable
- Power Adapter
- Installation CD
- Screw Pack
- QIG

Minimum System Requirements

- Available OHCI-compliant USB port
- Serial ATA equipped PC (eSATA) , WIN 2000 / XP / VISTA
- Serial ATA equipped MAC (eSATA) , MAC OS 10.2 or higher
- Serial ATA PCI or PCI-E Host card which supports to port multiplier function.

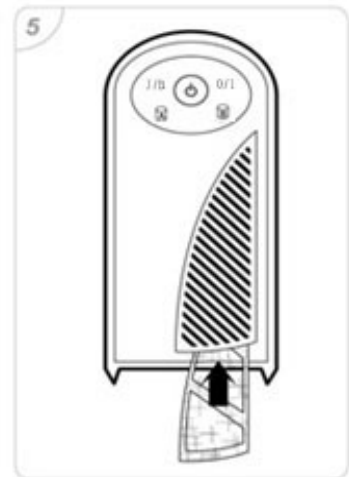
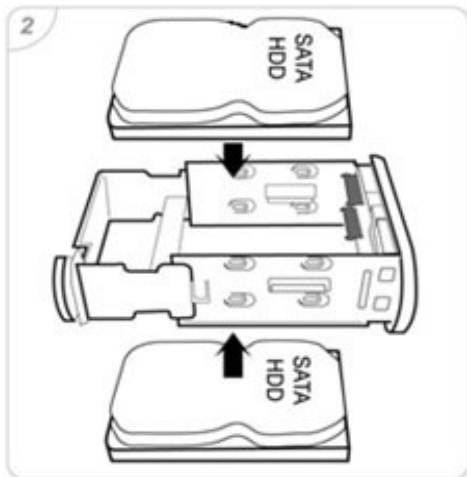
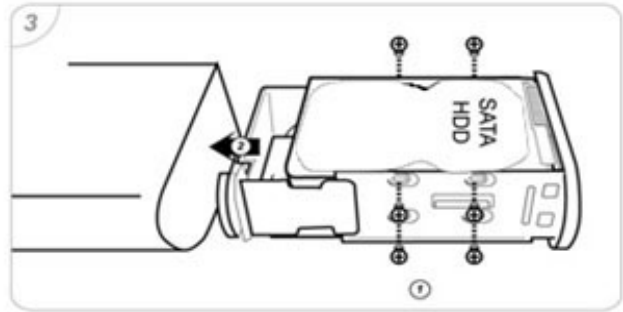
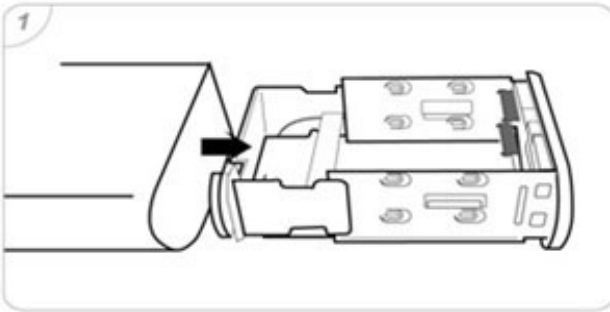
Product Overview

1. JBOD/BIG Mode LED
2. RAID0/RAID1 Mode LED
3. Power LED
4. HDD1 Access LED
5. HDD2 Access LED
6. FAN
7. USB Connector
8. Reset Button
9. eSATA Connector
10. DC Jack



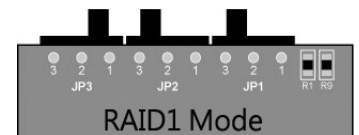
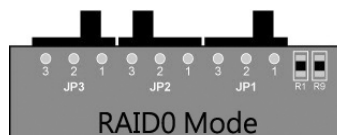
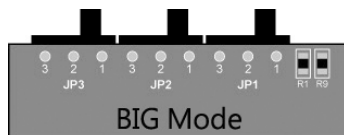
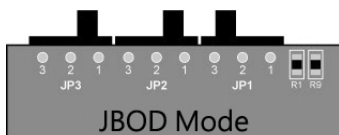
2. Assembling the 3.5" SATA HDD

- Step 1 : Open the enclosure and pull out the PCB tray
- Step 2 : Insert SATA HDD into the SATA connector of PCB
- Step 3 : Put in the screws and tighten SATA HDD.
- Step 4 : Connect the Power LED cable on PCB, position the PCB and HDD set carefully into the aluminum casing, put the screws in and tighten them.
- Step 5 : Insert the air filter.



3. Hardware RAID Setting

Before using the RAID service of ME540J, you have to set up the Switch (on PCB) first in order to choose the preferred RAID configuration. The default setting is JBOD Mode. After setting the correct Switch position, you have to click the reset button to enable the selected RAID mode. The ME540J offers 4 options of RAID configuration, please refer to below Switch figure and then follow the correct setting to form your own RAID system.



Warning: Any RAID mode exchange will cause possible data loss, always remember to backup your files before changing RAID mode.

Notes : 1. Please do not click the reset button while the data is transferring, otherwise it may cause the data loss.

2. If you want to use RAID0 or RAID1 Mode, you must insert two hard drives otherwise the enclosure will not work.

Quick Install Guide

3.5" RAID Enclosure , SATA to USB2.0 & eSATA

4. Connecting the Drive

1. Connect USB or eSATA cable between the ME540J and your computer.
2. Connect the power adapter to the power socket of the enclosure and switch the power on.
3. The power indication LED (on the front panel) will illuminate and the presence of an external drive will be visible on your PC monitor or laptop.
4. If there is no hard driver in the enclosure or the hard drive was broken, the hard drive access LED will blink sustained after turning on the enclosure power.

5. Disconnecting the Drive

Caution : *To prevent data loss, always be sure to close all active applications before shutting down the drive.*

Windows

1. Double-click the Safely Remove Hardware icon in your system tray (typically located on the bottom right corner of your desktop).
2. Select the appropriate device from the list and click "Stop". Click "OK" to confirm your selection of the drive to be disconnected.
3. Click "Close" and ensure that the drive is powered off already.

MAC

1. Find the Removable Disk icon associated with the drive that you want to disconnect and drag it to the Trash icon on your desktop.
2. After the disk icon disappears from the desktop and the drive is powered off, you may safely disconnect the USB cable from your computer.

6. Remarks

1. The detailed installation manual can be found in the "User Manual" of the CD.
2. The product is compliant with CE/FCC/UL/RoHS/WEEE.
3. Microsoft, Windows 98SE/ME/2000/XP/VISTA are trademarks of Microsoft Corporation. Apple, Macintosh and MAC are trademarks of Apple Computer.