

Quick Install Guide

5.25" SATA to USB2.0 Portable Enclosure

1. Getting Started

Kit Contents

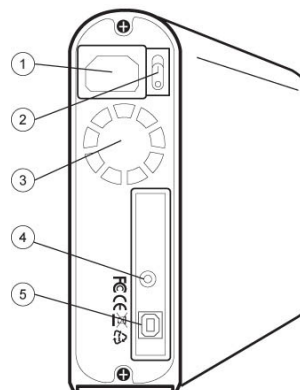
- 5.25" SATA Enclosure
- USB Cable
- Power Cord
- Installation CD
- Screw Pack
- QIG

Minimum System Requirements

- Intel Pentium II 350MHz-compatible or Apple G3 processor and above
- Windows 98SE/ME/2000/XP/VISTA or MAC OS 8.6 and above
- Available OHCI-compliant USB port

Product Overview

1. AC Power
2. Power Switch
3. FAN
4. Audio Jack
5. USB Port



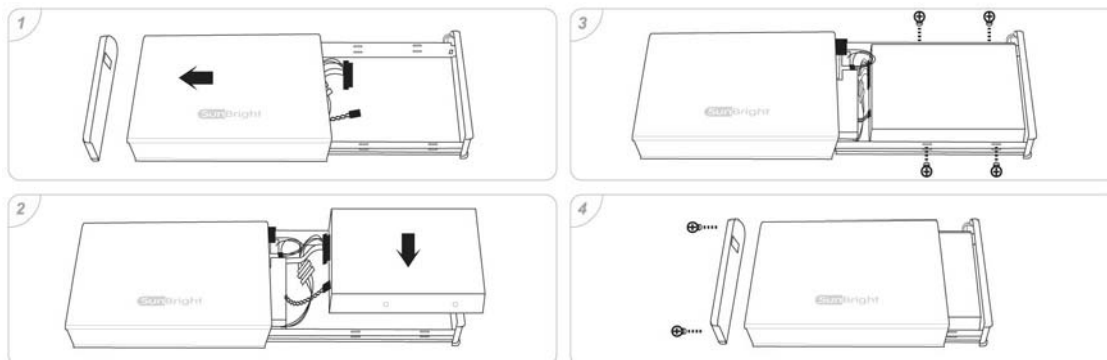
2. Assembling the 5.25" SATA Optical Drive

Step 1 : Take of the rear panel and slide the top of enclosure to the right.

Step 2 : Insert 5.25" optical drive and connect to the SATA 7P + 15P connector , also connect Audio cable to the drive if any.

Step 3 : Put on the screws and tighten them to both side of the 5.25" enclosure.

Step 4 : Slide the top of enclosure to the left and put on rear panel with screws and tighten them.



3. Connecting the Drive

Note : If using Windows 98SE , you must install the device drive on your system before connecting the drive.

1. Connect one end (USB A Type) of the USB Cable to your PC.
2. Connect the other end (USB B Type) of the USB Cable to the USB port on the back of the enclosure.
3. Connect the power cord to the AC power socket of the enclosure and switch on the power.
4. The front power indication LED will illuminate and the drive will be mounted and assign a drive letter , if the device does not mount , you may need to install drivers of 5.25" optical drive from the drive's CD ROM or other resource.

4. Disconnecting the Drive

Caution : To prevent data loss always be sure to close all active applications before shutting down the drive.

Windows

1. Make sure all operations using the drive within the optical enclosure has ceased.
2. Close any windows and programs pertaining to the optical drive.
3. If connected by USB , double click the green "Unplug or Eject Hardware" icon in the system tray and select "Safely Remove Hardware". Select the device you would like to remove and click on "Stop".
4. Turn off the power switch of the optical enclosure.

MAC

1. Make sure all operations using the drive within the optical enclosure has ceased.
2. Close any windows and programs pertaining to the optical drive.
3. If a drive is mounted to the desktop , drag the drive icon to the trash. If DVD drive is installed , eject any DVD media in the tray.
4. Turn off the power switch of the optical enclosure.

6. Remarks

1. The detailed installation manual can be found in the "User Manual" of the CD.
2. The product is compliant with CE/FCC/UL/RoHS/WEEE.
3. Windows 98SE/ME/2000/XP/VISTA are trademarks of Microsoft Corporation. Macintosh and MAC are trademarks of Apple Compute.