

**1. Getting Started**

**Kit Contents**

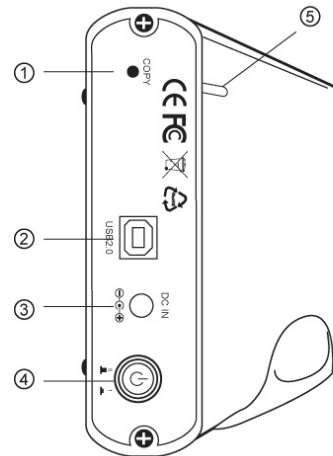
- 3.5" Enclosure
- USB Cable
- Power Adapter
- Installation CD
- Screw Pack
- Stand
- QIG

**Minimum System Requirements**

- Available OHCI-compliant USB port
- Windows 98SE/ME/2000/XP/VISTA/7
- MAC OS 9.x or above

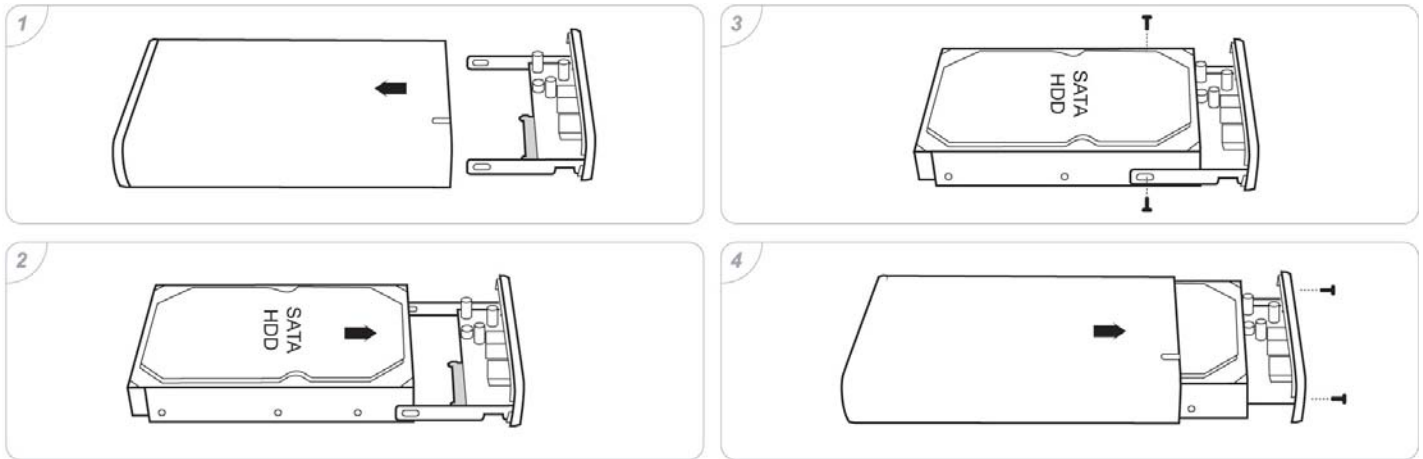
**Product Overview**

1. OTB Button
2. USB 2.0 Port
3. DC Power Socket
4. Power Switch
5. Power/Access Indicator



**2. Assembling the 3.5" SATA HDD**

- Step 1 : Open the enclosure , and put out the PCB tray.  
 Step 2 : Insert SATA HDD into the SATA connector of PCB properly.  
 Step 3 : Put in the screws and tighten SATA HDD on the HDD mounting bracket.  
 Step 4 : Position the PCB and HDD set carefully into the aluminum casing, put the screws in and tighten them.



**3. Connecting the Drive**

*Note : If using Windows 98SE , you must install the device drive on your system before connecting the drive.*

1. Connect one end (USB A Type) of the USB Cable to your computer.
2. Connect the other end (USB B Type) of the USB Cable to the USB port on the back of the drive.
3. Connect the power adapter to the power socket of the enclosure and switch the power on.
4. The power indication LED (on the front panel) will illuminate and the presence of an external drive will be visible on your PC monitor or laptop.

**4. Installing OTB Software**

*Note : Please select proper OTB .exe version for your computer before installation , OTB supports Windows System only.*

1. Put Installation CD-ROM into the Optical Drive on your computer or laptop.
2. Select the correct OTB software version and then follow the installation procedures.
3. Once OTB is successfully installed on the computer or laptop, an OTB icon will appear on the system tray of your computer.

**5. Disconnecting the Drive**

*Caution : To prevent data loss always be sure to close all active applications before shutting down the drive.*

**Windows**

1. Double-click the Safely Remove Hardware icon in your system tray (typically located on the bottom right corner of your desktop).
2. Select the appropriate device from the list and click "Stop". Click "OK" to confirm your selection of the drive to be disconnected.
3. Click "Close" and ensure that the drive is powered off already.

**MAC**

1. Find the Removable Disk icon associated with the drive that you want to disconnect and drag it to the Trash icon on your desktop.
2. After the disk icon disappears from the desktop and the drive is powered off, you may safely disconnect the USB cable from your computer.

**6. Remarks**

1. The detailed installation manual can be found in the "User Manual" of the CD.
2. The product is compliant with CE/FCC/UL/RoHS/WEEE.