

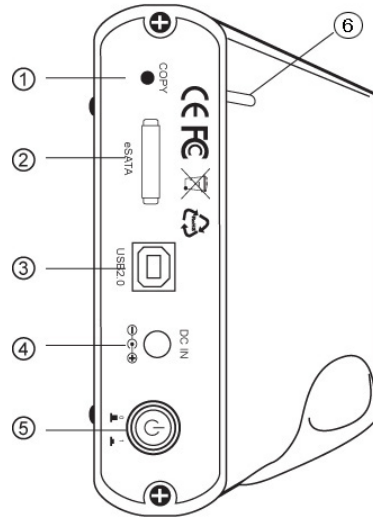
**1. Getting Started**

**Kit Contents**

- 3.5" Enclosure
- USB Cable
- eSATA cable
- Power Adapter
- Installation CD
- Screw Pack
- Stand
- QIG

**Product Overview**

1. OTB Button
2. eSATA Port
3. USB2.0 Port
4. DC Power Socket
5. Power Switch
6. Power/Access Indicator



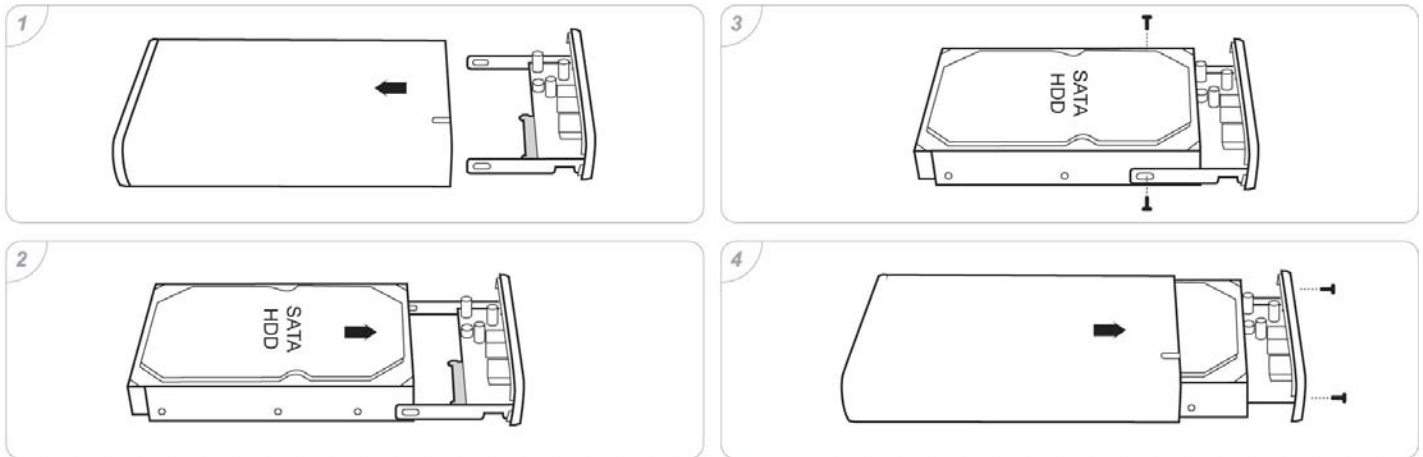
**Minimum System Requirements**

- Available OHCI-compliant USB & eSATA port
- Windows 98SE/ME/2000/XP/VISTA/7
- MAC OS 9.x or above

*Note : eSATA mode is not compliant with Windows 98SE · Windows ME*

**2. Assembling the 3.5" SATA HDD**

- Step 1 : Open the enclosure , and pull out the PCB tray
- Step 2 : Insert SATA HDD into the SATA connector of PCB properly
- Step 3 : Put in both screws and tighten SATA HDD on the HDD mounting bracket.
- Step 4 : Position the PCB and HDD set carefully into the aluminum casing, put the screws in and tighten them.



**3. Connecting the Drive**

*Note : If using Windows 98SE , you must install the device driver on your system before connecting the drive.  
Do not connect the USB cable and the eSATA cable at the same time.*

**USB connection**

1. Connect one end (USB A Type) of the USB Cable to your computer.
2. Connect the other end (USB B Type) of the USB Cable to the USB port on the back of the drive.
3. Connect the power adapter to the power socket of the enclosure and switch the power on.
4. The power indication LED (on the front panel) will illuminate and the presence of an external drive will be visible on your PC monitor or laptop.

**eSATA connection**

*Note : If using PC without eSATA interface , please install the iSATA to eSATA bracket cable in your PC. (Please make sure your PC or motherboard supports iSATA before installation) If using a laptop, please make sure there is a built-in eSATA or eSATA interface on your laptop.*

1. Connect one end of the eSATA cable to your PC or Laptop.
2. Connect the other end of the eSATA cable to your external enclosure.
3. Connect the power adapter to the power socket of the enclosure and switch the power on.

**4. Installing OTB Software**

*Note : Please select proper OTB .exe version for your computer before installation , OTB supports Windows System only but doesn't support eSATA Mode.*

1. Put Installation CD-ROM into the Optical Drive on your computer or laptop.
2. Select the correct OTB software version and then follow the installation procedures.
3. Once OTB is successfully installed on the computer or laptop, an OTB icon will appear on the system tray of your computer.

## 5. Disconnecting the Drive

*Caution : To prevent data loss always be sure to close all active applications before shutting down the drive.*

### **Windows**

1. Double-click the Safely Remove Hardware icon in your system tray (typically located on the bottom right corner of your desktop).
2. Select the appropriate device from the list and click "Stop". Click "OK" to confirm your selection of the drive to be disconnected.
3. Click "Close" and ensure that the drive is powered off already.

### **MAC**

1. Find the Removable Disk icon associated with the drive that you want to disconnect and drag it to the Trash icon on your desktop.
2. After the disk icon disappears from the desktop and the drive is powered off, you may safely disconnect the USB cable from your computer.

## 6. Remarks

1. The detailed installation manual can be found in the "User Manual" of the CD.
2. The product is compliant with CE/FCC/UL/RoHS/WEEE.