

## 1. Getting Started

### Kit Contents

- SATA 6Gbps to USB3.0 Enclosure
- USB3.0 Cable
- Power Adapter
- Screwdriver and Screw Pack
- Stand
- QIG

### Minimum System Requirements

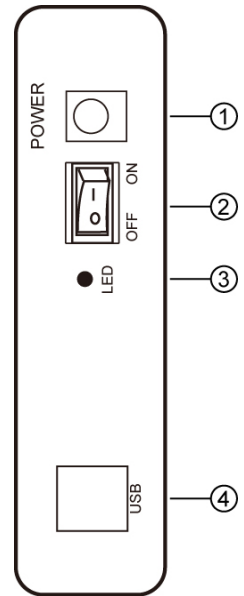
- USB3.0-Equipped Microsoft Windows XP, Vista, 7
- USB3.0-Equipped Mac OS X 10.5 or above

**Note :** This enclosure supports SATA III / II / I drive.

**Note :** For USB3.0 SuperSpeed, the Operation System must support USB3.0 5Gbps specification.

### Overview

1. Power Socket
2. Power Switch
3. LED Indicator
4. USB3.0 Port



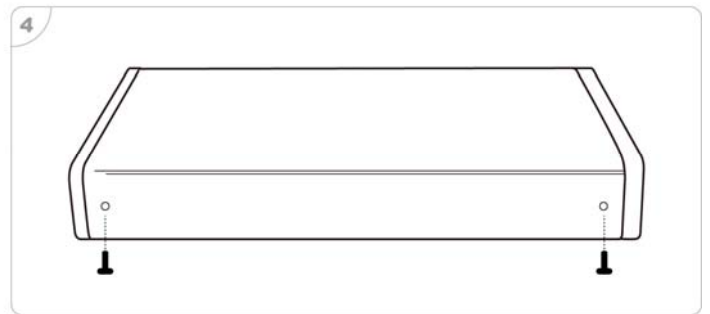
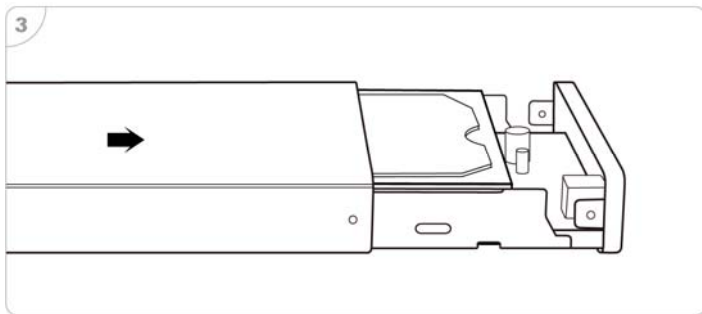
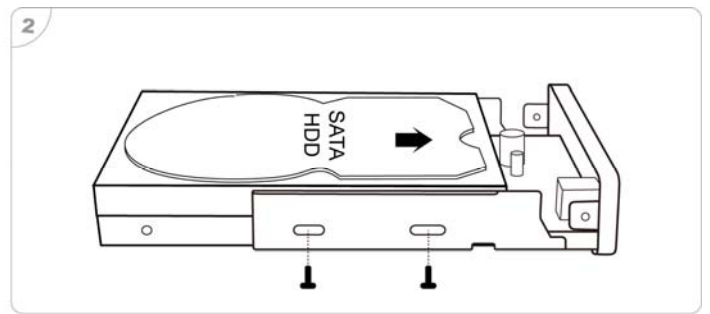
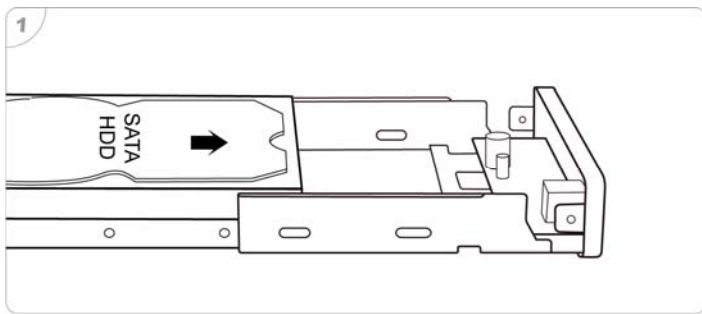
## 2. Assembling the 3.5" SATA HDD

Step 1 : Take out the metal tray and put the SATA HDD in it at correct direction.

Step 2 : Connect SATA HDD to the SATA connector. Also put screws in the metal tray.

Step 3 : Position the PCB and HDD set carefully into the aluminum casing

Step 4 : Put the screws in and tighten them.



## 3. Formatting Hard Drive

In order to use a hard drive, or a portion of a hard drive, in Windows you need to first partition it and then format it. This process will then assign a drive letter to the partition allowing you to access it in order to use it to store and retrieve data.

All hard disk management is done in the Disk Management Administrative Tool. Follow these steps to open this tool:

1. Click on the **Start** button and select the **Control Panel** option.
2. If in Classic control panel mode, double-click on the **Administrative Tools** icon and then double-click on **Computer Management** icon. If your control panel is in the Category view, click on **Performance and Maintenance**, then click on **Administrative Tools**, and finally double-click on the **Computer Management** icon.
3. When the Computer Management screen opens, click on the **Disk Management** option under the **Storage** category. This will present you with a screen called **The Disk Management Screen**.

To make a partition from the unused space you would do the following.

1. Right click on the space listed as unallocated.

2. At the menu that comes up, click on the **New Partition** option.
3. You will now be presented with a wizard as to how you would like the partition to be created. At the first screen press **Next**.
4. At the following screen, determine if you need a primary or extended partition. Most people will be fine selecting **Primary Partition**. Select **Primary Partition** and press **Next**.
5. At the next screen you will be prompted to type in how much of the unallocated space you would like used for the new partition. Regardless, of what you decide, you need to enter a size in the **Partition size in MB:** field, or stick with the default size, and press the **Next** button.
6. At the next screen select the drive letter you would like assigned to it, or use the default one given. When done, press the **Next** button. The drive letter that you assign here will be how you access the partition later.
7. In this step you will determine how you would like the new partition to be formatted. For the most part you are advised to use the **NTFS** file system.
8. Type a name in the **Volume Label** field that will be associated with this partition or leave it blank.
9. Finally press the **Next** button and you will come to a summary screen. Review how the partition will be created, and if you are satisfied, press the **Finish** button to complete the creation and formatting of your new hard disk partition.

When the computer finishes creating and formatting the new partition you will be presented with the **Disk Management** screen again and will see that you have a new partition and drive letter on your computer. Now you can use that drive to start storing your data.

## 4. Connecting the Drive

1. Connect the USB3.0 cable, one end to the enclosure, and the other end to the computer.
2. Connect the power adapter to the power socket of the enclosure and switch the power on.
3. The power indication LED (at the rear side of the enclosure) will illuminated and the presence of an external drive will be visible in the system tray of the PC or laptop.

## 5. Disconnecting the Drive

*Caution : To prevent data loss, always be sure to close all active applications before shutting down the drive.*

After transferring files to and from your external hard drive, it is important to safely remove it from your computer. Ejecting your external hard drive safely decreases the chances of corrupting or damaging files and causing drive errors. Whether you are using a Windows-based computer or a Mac, you can safely remove your external hard drive using built-in utilities designed for disconnecting hardware.

1. Close your external hard drive's disk window if you were transferring files to and from your portable storage device. Close any applications currently using your external hard drive.
2. Locate the "Safely Remove Hardware" icon located next to the system clock on the taskbar if you are using a Windows computer. Double-click the icon to launch the hardware window, then scroll down the hardware window and click your external hard drive's icon or assigned disk letter. Click "Stop."
3. Locate your external hard drive's icon on the desktop if you are using a Mac. Drag the icon to the Trash bin. Alternatively, hold the "Ctrl," key and left-click your mouse. Scroll down the pop-up menu and click "Eject." Your external hard drive's icon is no longer visible on the desktop.
4. Disconnect your external hard drive from your computer when prompted.