

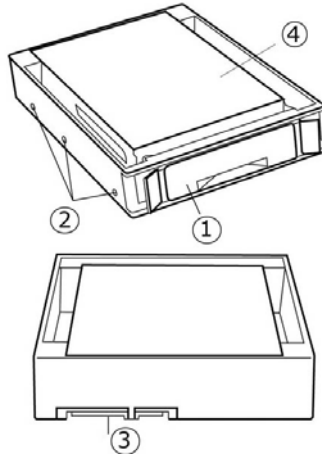
1. Getting Started

Kit Contents

- 2.5" to 3.5" Converter Box
- Screws
- Quick Install Guide

Minimum System Requirements

- Windows 2000/XP/VISTA/7
- MAC OS X



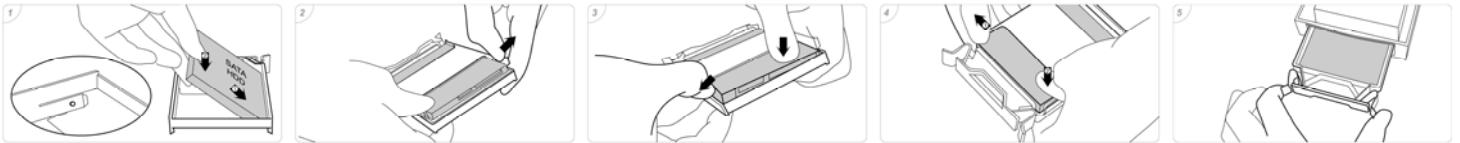
Product Overview

1. HDD Tray
2. Hole for screw
3. SATA Connector
4. Metal casing for heat-dissipation

2. Installing the converter box

Note : The HDD tray supports the height of 2.5" SATA drive up to 15mm.

1. Position correctly the SATA drive into the tray of the converter box.
2. Fix the SATA drive in the tray by joining the screw hole of the drive to the 4 assembly points of the tray.
3. To take out the drive, please start to take apart 1 assembly point from the drive, then take apart the second assembly point.
4. And take apart the third assembly point, then the drive can be taken out.
5. Press down the both ends of the HDD tray in order to pull it out from the converter box..



3. Application

Suitable for 3.5" internal/external drive bay of PC tower case and external enclosure.



4. Remarks

1. The product is compliant with CE/FCC/UL/RoHS/WEEE.
2. Windows 2000/XP/VISTA/7 are trademarks of Microsoft Corporation. Macintosh and MAC are trademarks of Apple Computer.