

1. Getting Started

Kit Contents

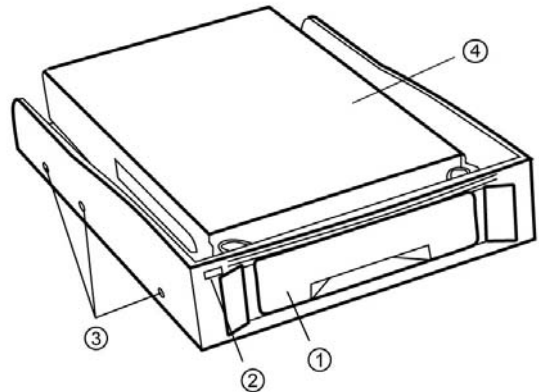
- 2.5" Mobile Rack with 3.5" Bay
- SATA Data Cable
- SATA Power Cable
- Screws
- Quick Install Guide

Minimum System Requirements

- Available SATA port on Motherboard
- Available 4P Power on Motherboard
- Windows 2000/XP/VISTA/7
- MAC OS X

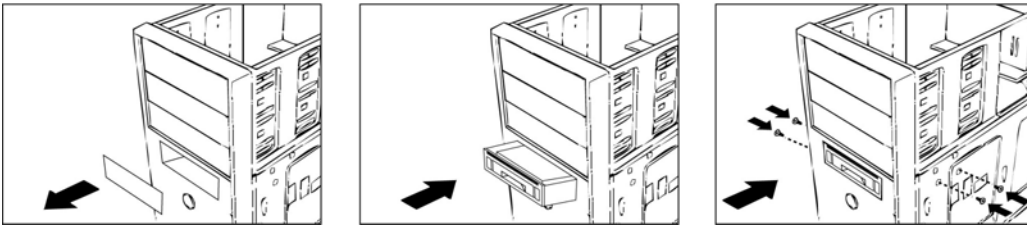
Product Overview

1. HDD Tray
2. Power LED
3. Hole for screw
4. Metal casing for heat-dissipation



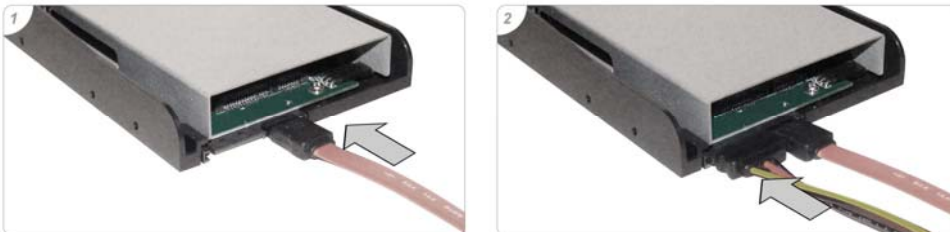
2. Installing the HDD mobile rack

Your PC tower case should have the external 3.5" drive bay in order to install the mobile rack. Please follow below steps to mount the mobile rack.



3. Cable connection

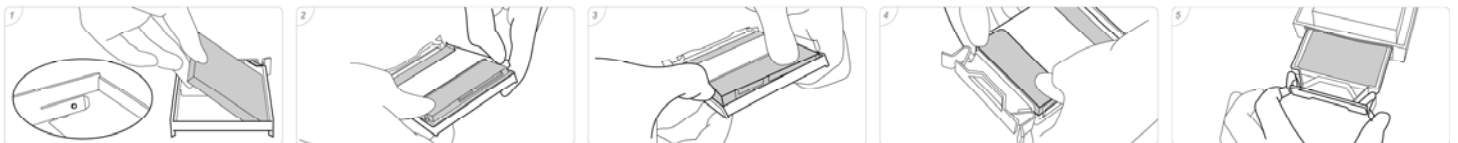
1. Connect SATA data cable to your mobile rack, and the other end of cable to M/B
2. Connect SATA power cable to the mobile rack, and the other end of cable to M/B



4. SATA HDD installation

Note : The HDD tray supports the height of 2.5" SATA drive up to 15mm.

1. Position correctly the SATA drive into the tray of the mobile rack
2. Fix the SATA drive in the tray by joining the screw hole of the drive to the 4 assembly points of the tray.
3. To take out the drive, please start to take apart 1 assembly point from the drive, then take apart the second assembly point.
4. And take apart the third assembly point, then the drive can be taken out.
5. Press down the both ends of the HDD tray in order to pull it out from the mobile rack.



5. Remarks

1. The product is compliant with CE/FCC/UL/RoHS/WEEE.
2. Windows 2000/XP/VISTA/7 are trademarks of Microsoft Corporation. Macintosh and MAC are trademarks of Apple Computer.